

## FC/APC CONNECTOR

### Features

- Nickel plated brass body
- Telcordia style boots
- Free-floating ceramic ferrule
- Boots in green color
- Low insertion loss and back reflection loss
- Precision anti-rotation key and corrosion resistant body

### Application

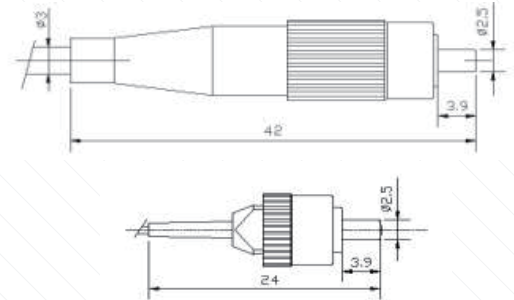
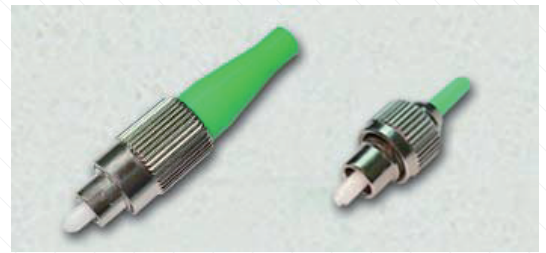
- CATV
- Metro
- Test equipment
- Data processing networks
- Premise installations
- Active device termination
- Telecommunication networks
- Local Area Networks (LANs)
- Wide Area Networks (WANs)

### STANDARDS

All components of/and the final product are designed and tested to conform the requirements of IEC 60874-7, CECC 86115-801, Bellcore/Telcordia GR-326, EIA/TIA 604-3A, EIA/TIA 568, ISO/IEC 11801 2nd Ed., EN 50173, JIS C5973 F04, ICEA-596, IEC60793-2-10 A1a, ITU-T G.651 or IEC60793-2-10 A1b or ITU-T G.652 (depending on fiber), Belcore/Telcordia GR-409-CORE, IEC 793, IEC 794-1-E1, IEC 794-1-E3, UL1666/901 (UL-cable) and EIA/TIA455.

### AVAILABILITY

- The connector can be supplied as a pre-assembled one-piece connector or as connector kits.
- Housing kits without ferrule are available.



### Specification

Item	Specification
Insertion Loss	≤0.30dB
Return Loss	≥60dB
Durability	<0.20dB typical change, 1000 matings
Operating Temperature	-40°C ~ 85°C
Ferrule Hole Sizes	125.0+1/-0μm, Concentricity: ≤1.0μm
	125.5+1/-0μm, Concentricity: ≤1.0μm
	126.0+1/-0μm, Concentricity: ≤1.0μm